

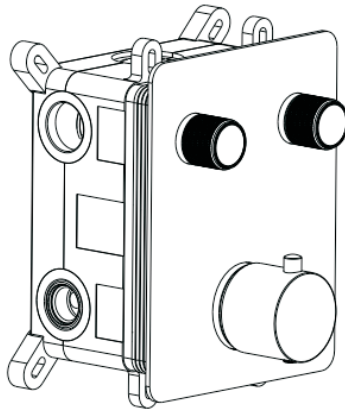
USER MANUAL



Thank you for choosing Better Bathrooms.
Please read this manual before installing your product
and keep for future reference.

**better
bathrooms**

Vance Push Button 2 Function Shower Valve BeBa_28250 / BeBa_28251 / BeBa_28496



- **Single-person assembly**
- **Tools required**
- **We always recommend using professional tradespeople to install your product**

Congratulations on your purchase

And welcome to our growing gang of savvy shoppers

We're on a mission to bring you extraordinary bathroom products, for less. From modern to traditional style ceramics, plus the gorgeous fixtures, fittings and furniture to match. So, you can fall in love with your space every single day.

As one of the UK's largest independent bathroom stores, we've received countless awards; including the National Business Awards UK, the Digital Entrepreneur Awards and being placed on The Sunday Times Fast Track 100.

We hope your new product goes above and beyond your expectations. However, should any problems occur, please:

- log in to your account and contact our customer services team via your self-serve portal – betterbathrooms.com/CustomerAccount/Login
- contact us via betterbathrooms.com/content/contact-us

Important information

- Please read these instructions thoroughly and retain for future reference

1.To avoid scratches and damage to kit surfaces, wear protective gloves when assembling/ installing the system.

2.Prior to installation, check the product for transport damage. Damage, even though it will not be visible,can significantly affect system performance after the installation.

3.System must be flushed prior to installation.

4.Before installation check wall for pipes and cables before drilling.

5.Cold supply must be on the right.

6. Technical Specifications:

Operating Pressure:

Min: 100kPa/1.0bar

Max: 500kPa/5.0bar

Optimum: 100kPa/1.0bar - 500kPa/5bar

Recommended installation of pressure limiting valve if supply exceeds 500kPa

Operating Temperature:

Hot: Max 80°C

Cold: Min 5°C

Hot and Cold Pressures must be balanced

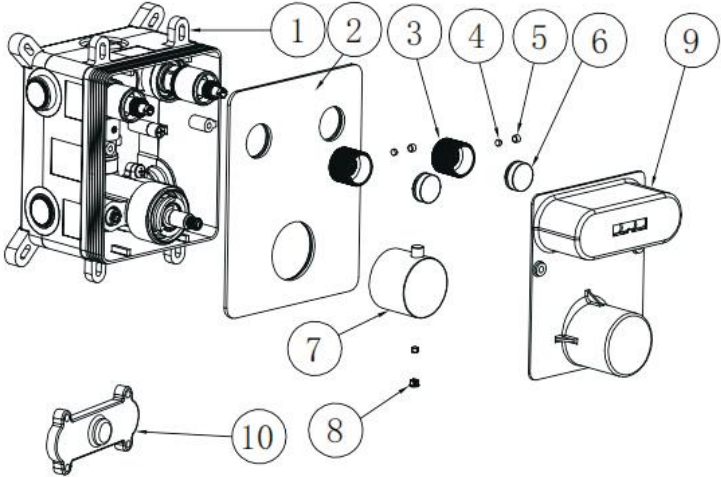
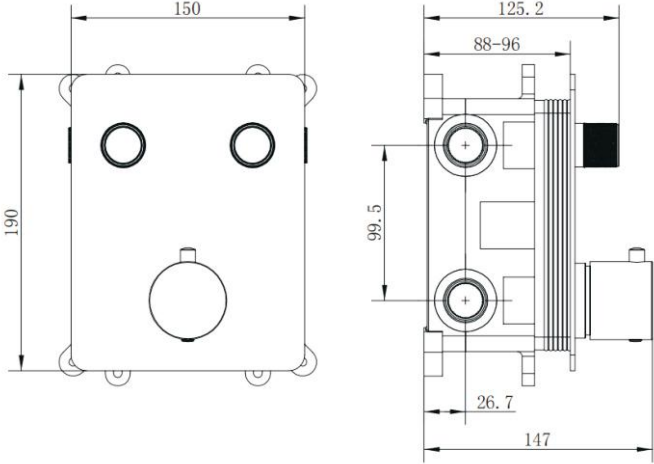
Inlet Connections:

All G $\frac{1}{2}$ "

NOTE:

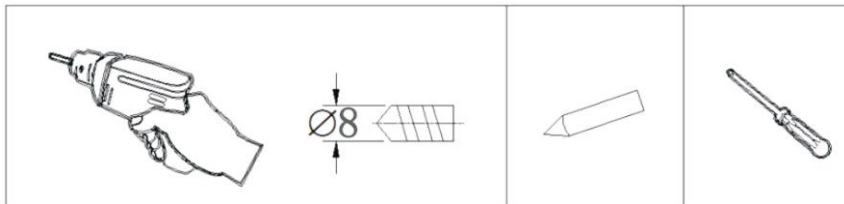
- After installation all connections must be checked for leaks.
- All installations must be carried out in compliance with relevant water regulations.

Parts / Diagrams



10	AF-L3B156CP-10	Baffle plate	1	
9	AF-L3B156CP-9	concealed box's plate	1	
8	AF-L3B156CP-8	color cap	1	
7	AF-L3B156CP-7	thermostatic handle	1	
6	AF-L3B156CP-6	push button	2	
5	AF-L3B156CP-5	rubber plug	2	
4	AF-L3B156CP-4	M5 screw	3	
3	AF-L3B156CP-3	handle	2	
2	AF-L3B156CP-2	plate	1	
1	AF-L3B156CP-1	concealed box	1	
NO.	Part NO.	Part Name	QTY	Remark

Tools required

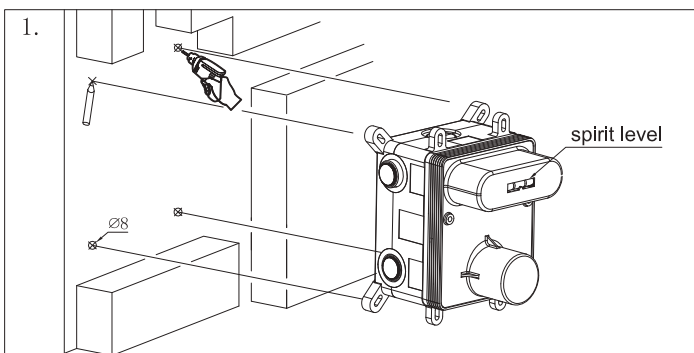


Electric Drill

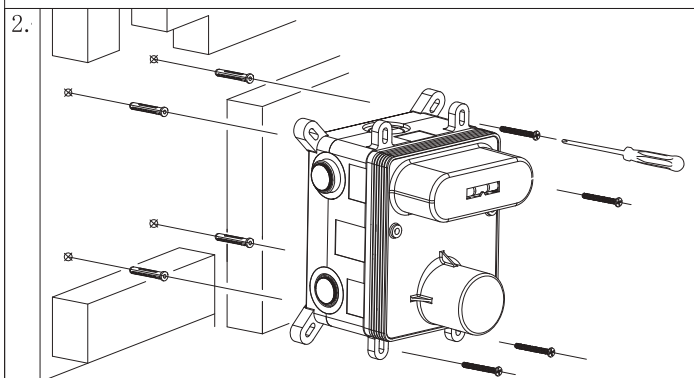
Pen

Screwdriver

Installation



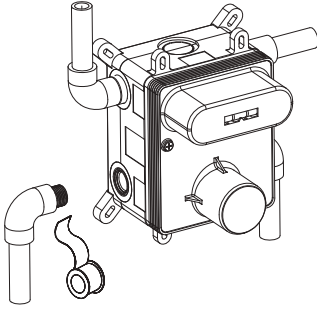
Drill a hole in the wall to fit in the mounting box. The depth of hole should refer to the concealed box's remark (including the thickness of tile). Adjust the box so it is level using the built in spirit level. Take the holes on the mounting box as benchmark to make marks on rough walls. Then Drill four Ø8 holes at marked positions



Insert anchors into Ø8 holes. Lightly fix the mounting box to rough walls by self-tapping screws.

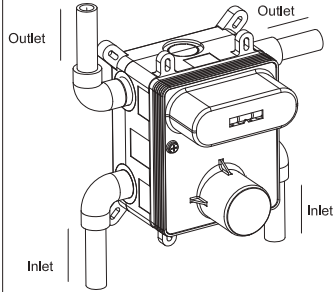
Adjust the mounting box by built in spirit level and then tighten self-tapping screws.

3.



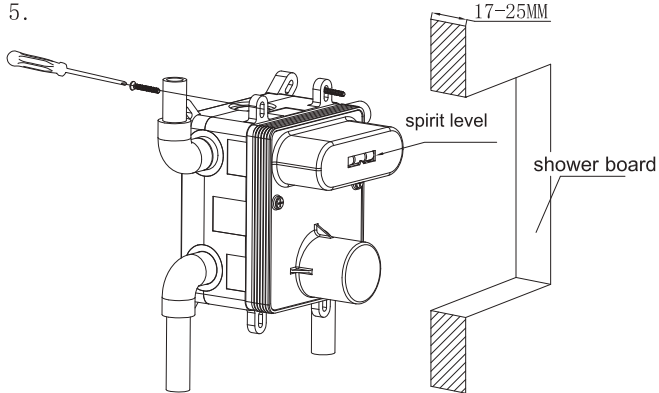
Wrap the connector with PTFE tape and screw it to the valve body.

4.



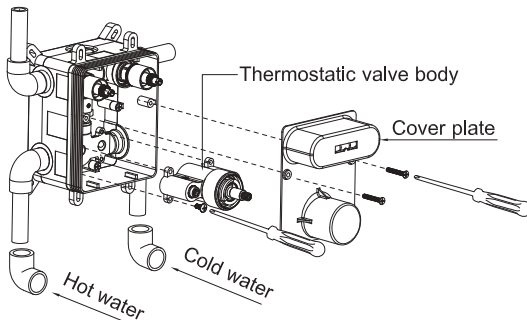
Connect outlet pipes as shown in the diagram.
Connect inlet pipes of proper length to the inlet connector.

5.



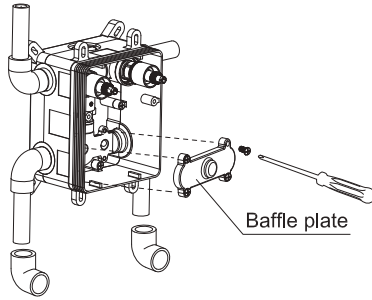
A second way of installation is to install the mounting box on the shower board. (Drill holes first on the shower board in accordance with the size of the mounting box.)

6.



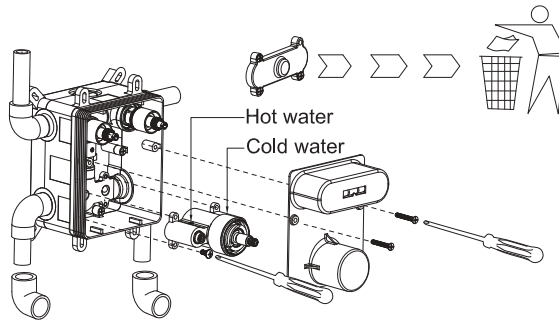
Disassemble the valve body, and pay attention the direction and keep 3 pcs filters safe. Connect feeding pipes.
(Please note that inlets must be connected for hot left and cold right. Otherwise thermostatic cartridge will malfunction, or even cause scalding.)

7.



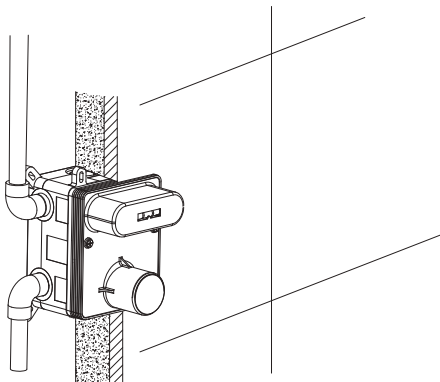
Install the Baffle, and turn on the valve body with hot & cold water. Use the cold water for replacement if there is no hot water. Flush the pipework to remove any debris. Check all the parts to make sure there is no leakage.

8.



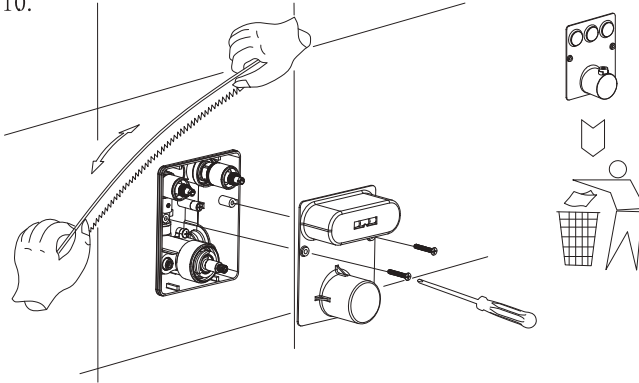
Refer to step 6 and 7 to remove the baffle plate, clean and dry the inside of the mounting box.
Install the thermostatic valve body and turn off the valve body, and turn on the hot and cold water.
Check all the connecting parts carefully and install the cover plate if no leakage.

9.



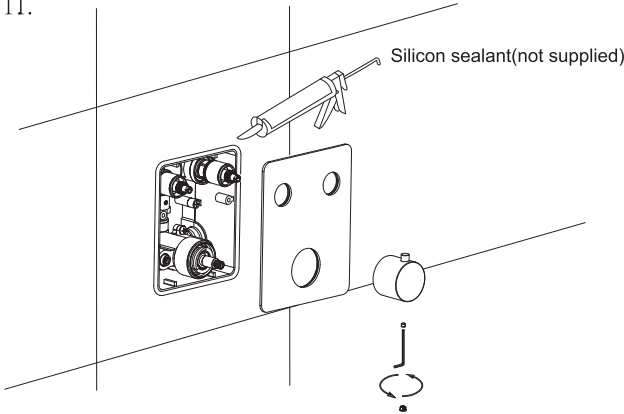
Finish tiling around the mixer. Pls note the concealed depth is 88-96mm(including the thickness of tile).

10.



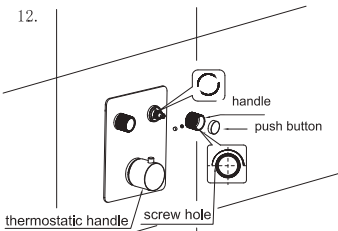
Disassemble the plate, and cut the surplus part of the mounting box.
(Please note that the saw blade should only be placed from the edge of the mounting box to avoid damage to the product.)

11.



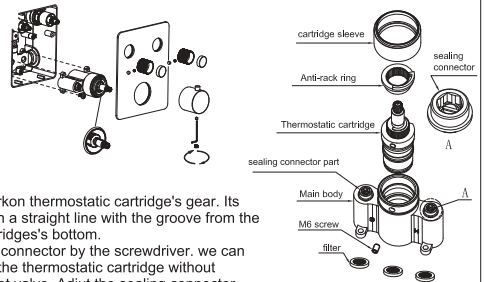
Install the plate and thermostatic handle after making the silicon sealant around the hole.

12.



Turn the diverter cartridge left. install the handle and push button.

13. Maintenance



Note: there is a mark on the thermostatic cartridge's gear. Its mark should be in a straight line with the groove from the thermostatic cartridge's bottom.

Tighten the sealing connector with the screwdriver. We can clean or change the thermostatic cartridge without turning off the inlet valve. Adjust the sealing connector correctly after changing or cleaning the cartridge.

Maintenance and Cleaning

If the flow rate is lessened or temperature control is imprecise after a period of usage, it is possibly because water of poor quality blocks the small filters on both sides of the valve body or the filter of the thermostatic cartridge.

Cleaning method should be taken as followed: First, turn off the main inlet valve. Disassembly the thermostatic valve body as the image shown. Clean 3 filters. If there are too much dirt, we can take the thermostatic cartridge down and clean the filter of it. Pay attention when assemble the thermostatic cartridge, its mark should be in a straight line with the groove from the thermostatic cartridges' bottom. Then assemble them back accordingly.

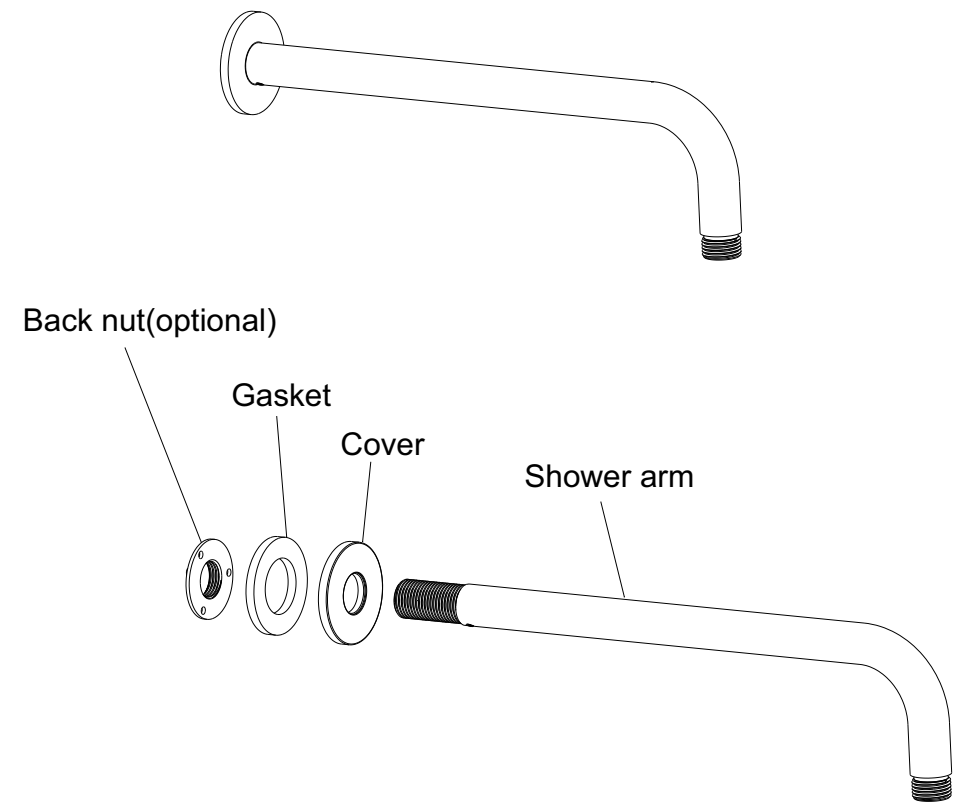
For more information

- visit betterbathrooms.com
- email customerservices@buyitdirect.co.uk
- call 0330 390 3062
- write to Trident Business Park, Neptune Way, Huddersfield, HD2 1UA

**better
bathrooms** 

Part of the BuyItDirect Group

Shower arm Installation



This ceiling arm is intended to be used in conjunction with other products, such as shower or blending valves, diverter, stopcocks and shower roses.

Tools You'll Need



INSTALLATION

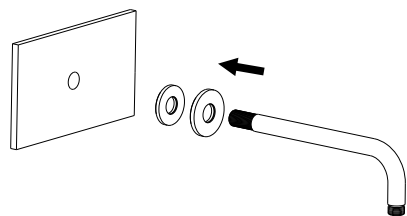
The ceiling arm should be arranged in your system to accept a supply of flow controllable mixed water.

1. Identify all components, study diagram and check for completeness, particularly before arranging fitting.

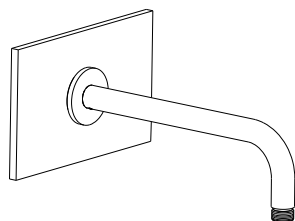
2. The arm is most suitable for mounting via the back nut either side of a panel and/or tiles. However it is possible to support the arm using rigid pipework by connecting via a female G 1/2" BSP to 15mm compression adaptor. The 15mm pipework can then be adjusted to offer the necessary depth and vertical positioning for the eventual shower fixed head.

⚠ Before finishing wall turn on water supplies to check for leaking from joints / connections.

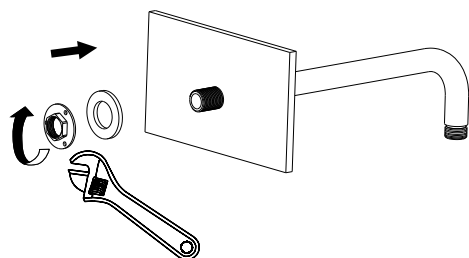
1



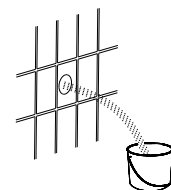
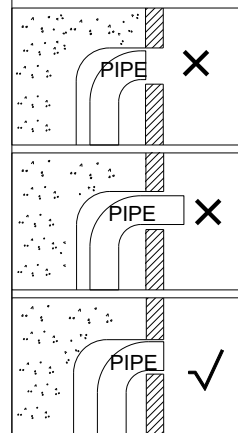
3



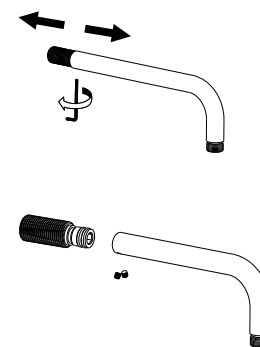
2



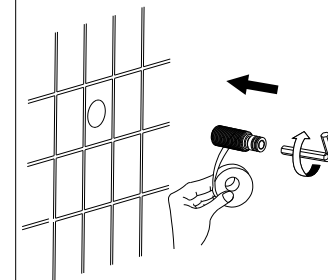
1



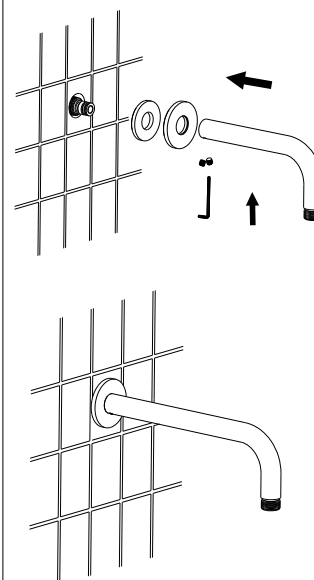
2



3



4



General Cleaning

Products are made from premium materials, with hand polishing and electroplated finishes.

Your taps or shower should be regularly cleaned with warm water, a mild pH-neutral liquid soap, and polished with a soft cloth. Any residues from soap, toilettries etc. should be rinsed off straight after use. Fail to follow the cleaning instruction may result the warranty invalid.

Household bleaches and cleaners contain harsh chemicals and may damage the surface finish. Avoid using abrasive cloths, scouring pads, scrub sponges, steel wool or anything similar.

Round/Square Fixed Shower Head Fitting Instructions

This shower rose is intended to be used in conjunction with other products, such as a shower arm and valve.

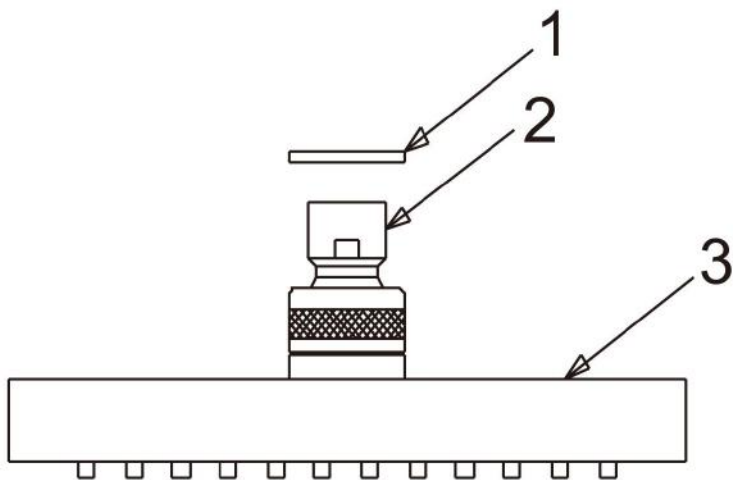
INSTALLATION

This shower head should be arranged in your system with a supply of pre-mixed water from a shower valve.

This product is designed to be fitted to shower arms with a male ½" BSP thread. If replacing a shower head, simply unscrew from the shower arm and replace. The shower head comes with a swivel joint, so the head can be positioned as desired.

Tighten by hand ONLY. Check joint and connections for any leaks, if this occurs check the condition of the washer. Replace if necessary or reseal correctly then re-tighten.

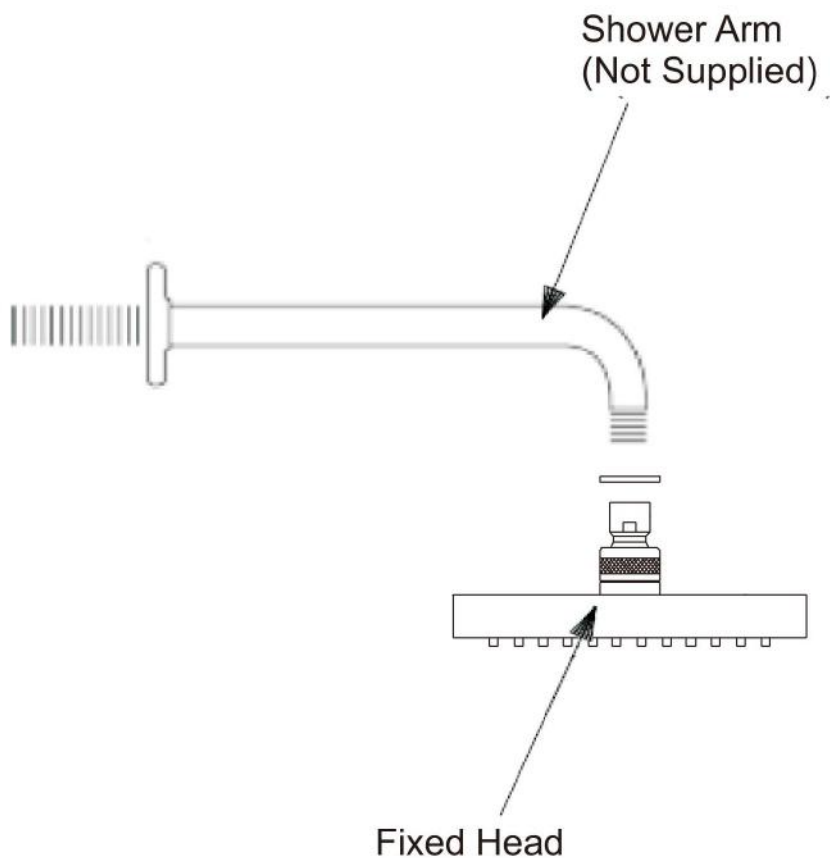
In order to maintain optimum spray, we advise that the shower rose face plate be regularly cleaned, particularly in hard water areas.



CONTENTS:

- | | |
|------------------|------|
| 1. Swivel | (x1) |
| 2. Rubber Washer | (x1) |
| 3. Shower Rose | (x1) |

INSTALLATION DIAGRAM



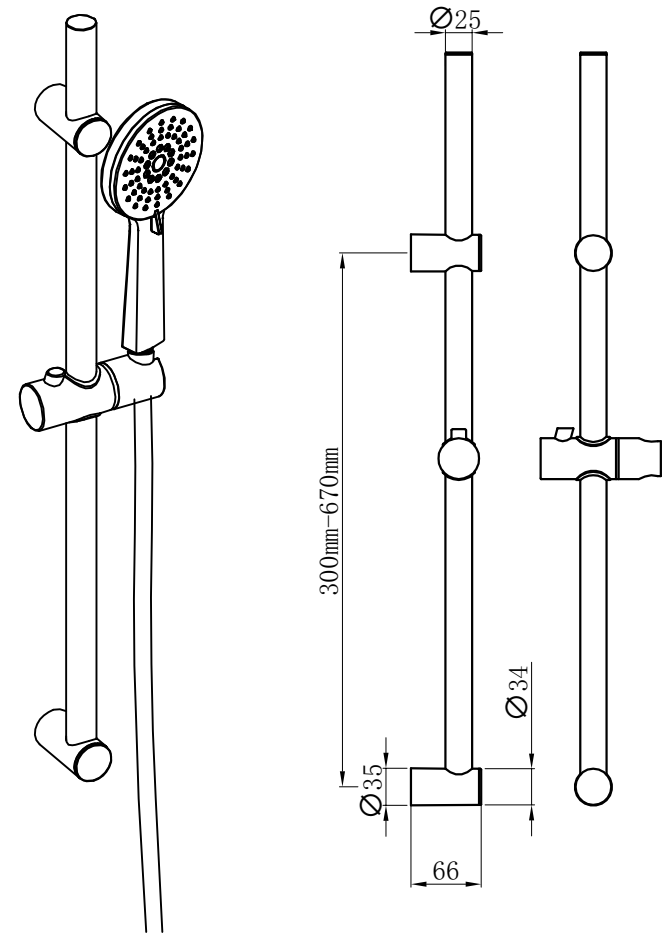
AFTERCARE INSTRUCTIONS

Your fitting has a high quality finish and should be treated with care to preserve the visible surfaces.

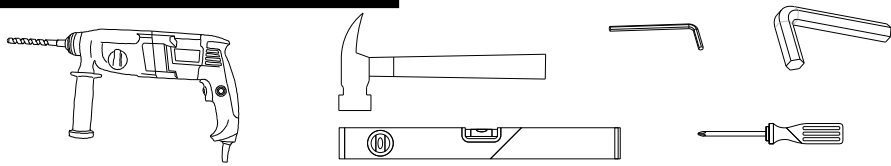
All surface finishes will wear if not cleaned correctly, the only safe way to clean your mixer is to wipe with a soft damp cloth. Stains can be removed using washing up liquid. All bath cleaning powders and liquids will damage the surface of your fitting, even the non-scratch cleaners.

NOTE: Never use abrasive detergents or disinfectants or those containing alcohol, hydrochloric acid or phosphoric acid.

Shower slider rail kit Installation

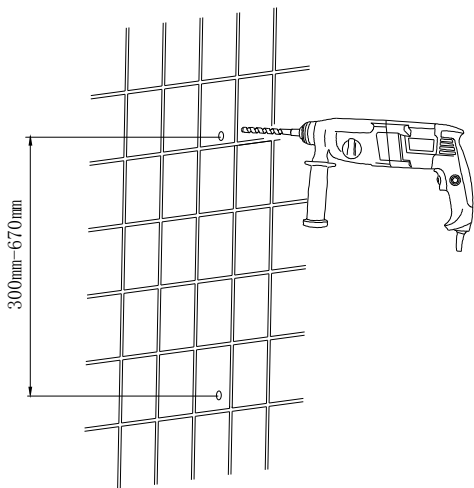


Tools You'll Need

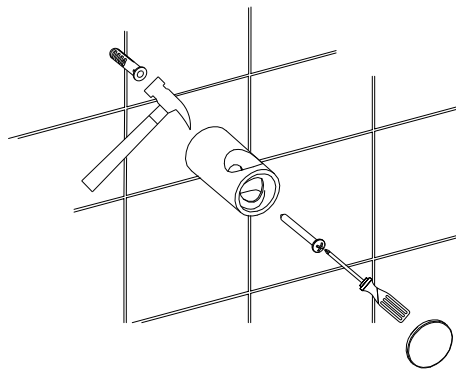


WARNING! Check there are no hidden cables or pipes before drilling holes for wall plugs. Use great care when using power tools near water. The use of a residual current device (RCD) is recommended.

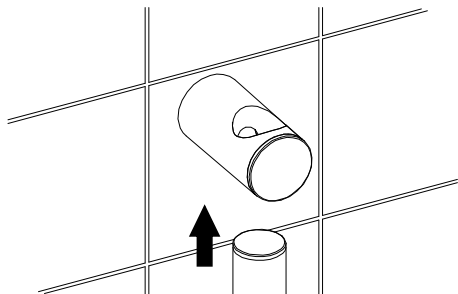
①



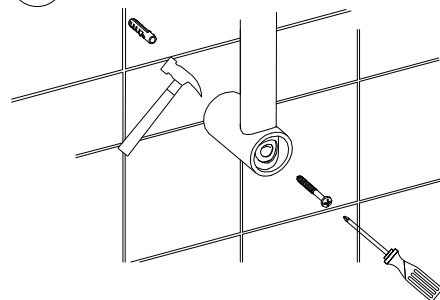
②



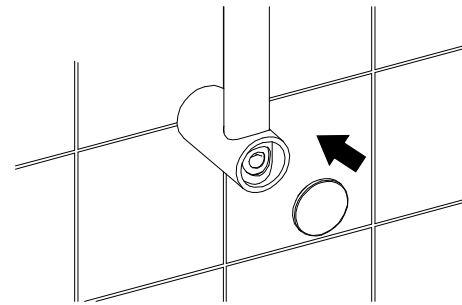
③



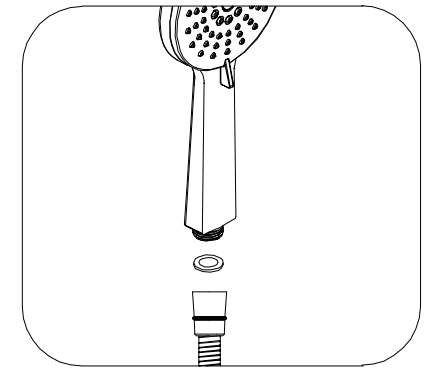
④



⑤



⑥



Note: The installation diagram is for reference only and subject to the real objects.

General Cleaning

Products are made from premium materials, with hand polishing and electroplated finishes.

Your taps or shower should be regularly cleaned with warm water, a mild pH-neutral liquid soap, and polished with a soft cloth. Any residues from soap, toiletries etc. should be rinsed off straight after use. fail to follow the cleaning instruction may result the warranty invalid.

Household bleaches and cleaners contain harsh chemicals and may damage the surface finish. Avoid using abrasive cloths, scouring pads, scrub sponges, steel wool or anything similar.

Some surfaces such as nickel and pewter may be affected by the dye found in some cloths, so it is also important to avoid hanging cloths on surfaces.